

DSM STSL

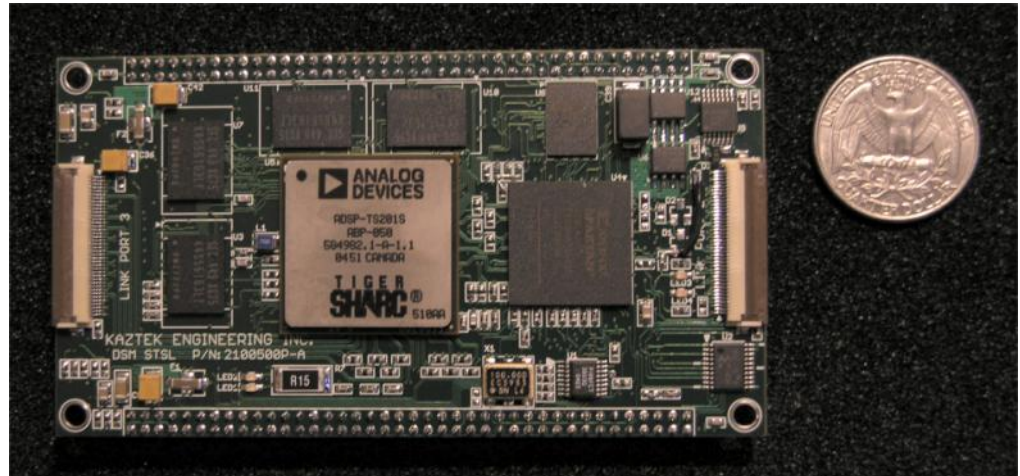
Highlights

Processor:
600 MHz ADSP-TS201
TigerSharc®

Memory:
32M x 32 SDRAM
4MB x 8 Flash

I/O:
Two Link Ports (FFC)
User defined I/O (2mm)

Power:
3.3V



The DSM-STSL is a compact CPU module that features an ADSP-TS201 TigerSharc® Embedded Processor (or pin compatible ADSP-TS202) and a Xilinx Spartan®-3 FPGA.

Description:

The DSM-STSL is a complete TigerSharc® based computing system in a small form factor offering the essential features for building compact DSP systems. The FPGA enables the user to customize the external interface with the module. The interface between the CPU and the FPGA is through a pair of Link Ports.

The DSM-STSL board measures 100 mm x 54 mm, which makes it suitable for applications that require a compact footprint.

External pin connections to the module includes separate JTAG ports for programming the processor and FPGA. Most of the I/O connections are user definable through the FPGA. Only a single 3.3V supply is required for power.

The 600 MHz TigerSharc® processor can sustain 2.4 GFLOPs or 9.6 GOPs (16 bit fixed point) of computational performance.

*Providing ADI Processor
Focused Training,
Products, and
Systems Development
Support*

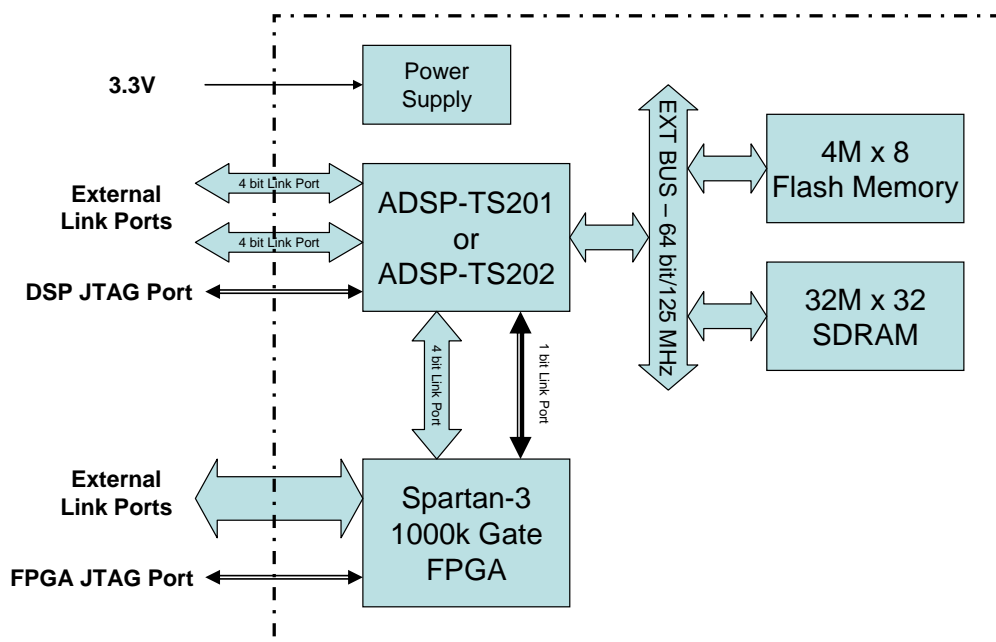


PO Box 2618
Acton, MA
01720-6618

Phone: 978-929-2900
Fax: 978-929-2500
E-mail:
info@kaztek.com
www.kaztek.com

TigerSharc is a registered trademark of
Analog Devices, Inc
Spartan is a registered trademark of
Xilinx, Inc

DSM STSL Block Diagram



Features:

- 600 MHz ADSP-TS201 or 500 MHz ADSP-TS202 TigerSharc® Embedded Processor
- 1000k Gate Xilinx Spartan®-3 FPGA
- 54mm x 100mm footprint
- 128 MB SDRAM (64 bits wide)
- 4 MB Flash memory
- On board power supplies (only single 3.3V Vin required)
- 2x Bidirectional 1GB/sec Link Ports on 0.5mm FFC connectors
- CPU/FPGA Interface through two Link Ports (one 4 bit and one single bit)
- 104 User defined I/O pins on 2mm grid connector (ie pins connected to the FPGA)
- Separate JTAG connections for both the processor and FPGA

Support (included in DSM STSL Starter Kit):

- STSL Adapter board (power supply, JTAG connectors, I/O breakout)
- FPGA UCF
- Flash Programmer Utility (used with VDSP++ and ICE)



*Providing ADI Processor
Focused Training,
Products, and
Systems Development
Support*



PO Box 2618
Acton, MA
01720-6618

Phone: 978-929-2900
Fax: 978-929-2500
E-mail:
info@kaztek.com
www.kaztek.com

TigerSharc is a registered trademark of
Analog Devices, Inc
Spartan is a registered trademark of
Xilinx, Inc

Ordering Information:

Please call or e-mail Kaztek Systems for pricing and ordering information