

DSM BF533

Highlights

Processor:
600 MHz ADSP-BF533
Blackfin®

Memory:
16M x 16 SDRAM
2MB x 16 Flash

I/O:
SPORTs, PPI, SPI, EBIU

Power:
6V to 20V

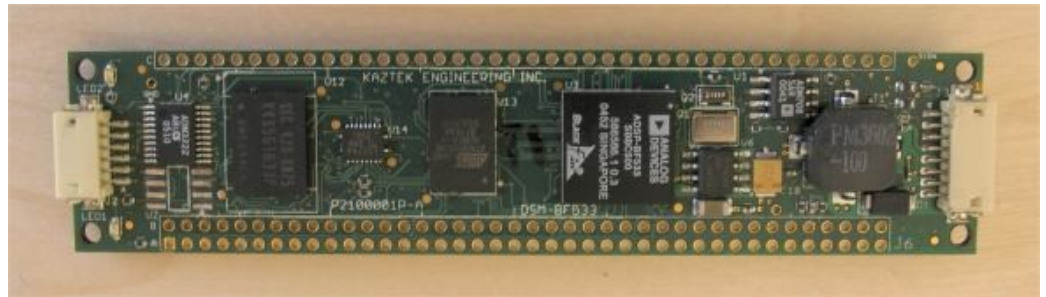
*Providing ADI
Processor Focused
Training, Products, and
Systems Development
Support*



PO Box 2618
Acton, MA
01720-6618

Phone: 978-929-2900
Fax: 978-929-2500
E-mail:
info@kaztek.com
www.kaztek.com

Blackfin is a registered trademark of
Analog Devices, Inc



The DSM BF533 is a compact CPU module that features an ADSP-BF533 Blackfin® Embedded Processor (or pin compatible ADSP-BF532 or ADSP-BF531)

Description:

The DSM BF533 is a complete Blackfin® based computing system in a small form factor offering the essential features for building compact signal processing systems.

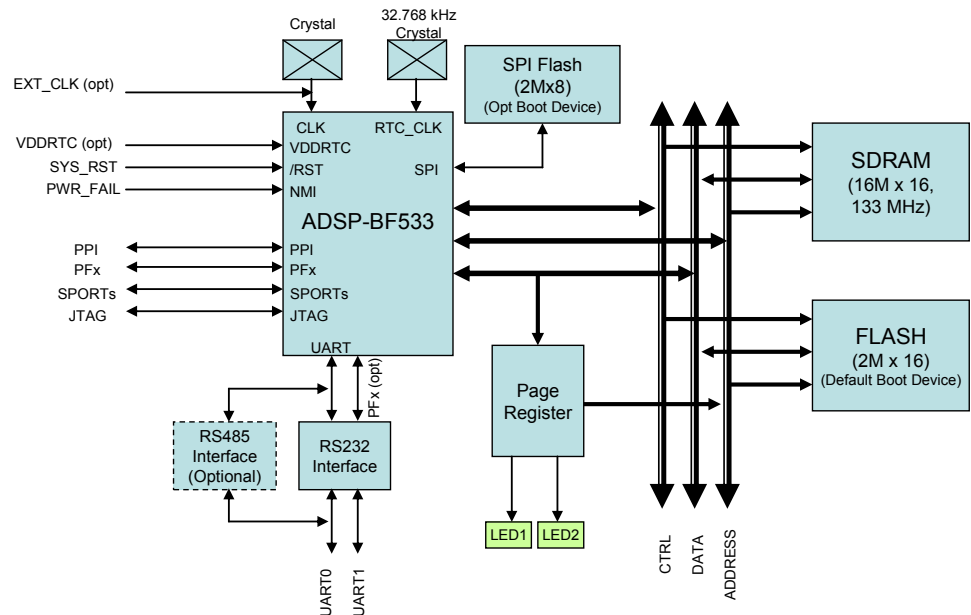
The DSM BF533 board measures 100 mm x 22 mm, which makes it suitable for applications that require a compact footprint. The CPU module is designed to mate with an I/O daughterboard with the assembly packaged in a 1 inch (25.4mm) ID enclosure.

External pin connections to the module includes a JTAG port for communications with the processor. The PPI and two EBIU Async bank selects are available for parallel interfaces. There are also SPORT, SPI, and a UART available for serial interfaces.

The flexible onboard power supply works with an supply input range of 6V to 20V, making it suitable for use with batteries.

The 600 MHz Blackfin® processor can sustain 1200 MMACs (Million Multiply Accumulates in 16 bit fixed point) of computational performance. It is ideally suited for applications such as audio/video processing, software radio, and sonar, to name just a few.

DSM BF533V01 Block Diagram

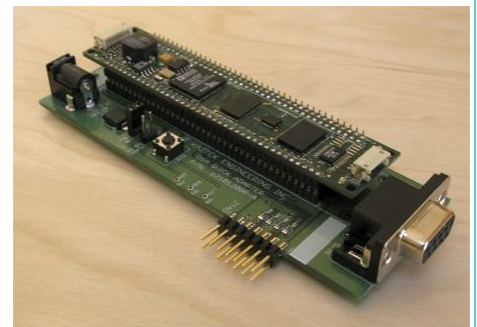


Features:

- 600 MHz ADSP-BF533 or 400 MHz ADSP-BF532/1 Blackfin® Embedded Processor
- 22mm x 100mm footprint with 120 pin 2mm pitch header
- 32 MB SDRAM (16MB x 16)
- 4 MB Flash memory (default boot device)
- 2 MB SPI Flash memory (optional boot device)
- 6V to 20V input voltage (several hundred mA @ 3.3V available for peripherals)
- 2x SPORT (synchronous serial interfaces)
- SPI (Serial Peripheral Interface)
- PPI (Parallel Peripheral Interface)
- UART with RS232 transceiver (optional RS485)
- 16 bit EBIU (External Bus Interface Unit) with two available Async banks
- JTAG connection for high performance debugging on the processor

Support (*included in DSM BF533 Starter Kit):

- *DSM Adapter board (power supply, JTAG connector, RS232, signal breakout)
- *Flash Programmer Utility (used with VDSP++ and ICE)
- *VDSP++ Board Support Package (code examples using System Services, VDK)



Ordering Information:

Please call or e-mail Kaztek Systems for pricing and ordering information

*Providing ADI
Processor Focused
Training, Products, and
Systems Development
Support*



PO Box 2618
Acton, MA
01720-6618

Phone: 978-929-2900
Fax: 978-929-2500
E-mail:
info@kaztek.com
www.kaztek.com

Blackfin is a registered trademark of
Analog Devices, Inc